

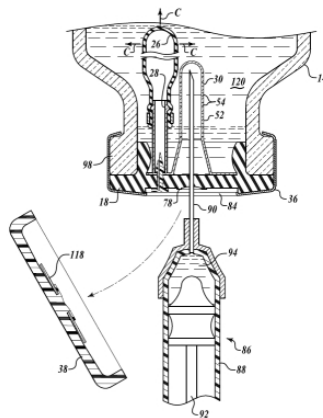
PRESS RELEASE  
Nov 17, 2009

Peninsula Daily News: [news@peninsuladailynews.com](mailto:news@peninsuladailynews.com)  
Olympic Business Journal: [publisher@olympicbusinessjournal.com](mailto:publisher@olympicbusinessjournal.com)  
Sequim Gazette: [editor@sequimgazette.com](mailto:editor@sequimgazette.com)  
Sequim Weekly: [brenda.hanrahan@sequimthisweek.com](mailto:brenda.hanrahan@sequimthisweek.com)  
Port Townsend Leader: [news@ptleader.com](mailto:news@ptleader.com)  
Forks Forum: [editor@forksforum.com](mailto:editor@forksforum.com)

### **Vial Assembly and Method for Reducing Nosocomial Infections**

Innovation Law Group, Ltd. of Sequim is pleased to announce that the US Patent Office issued on Nov 17 US Patent 7618408 to local inventor, Dr. Marion E. Yandell, MD.

Dr. Yandell's invention is directed to a medicinal vial assembly and method for reducing the incidence of infections acquired in hospitals. The vial includes a vacuum-break device having an internal bladder that expands as medicinal fluid is withdrawn by hypodermic needle. Dr. Yandell's vial does not require pre-pressurization. The hypodermic needle is simply inserted in the vial through the stopper and the medicinal fluid withdrawn. Thus, no microbes carried in ambient air are introduced into the medicine.



Dr. Yandell is actively seeking strategic commercialization partners on his new invention. Dr. Yandell can be contacted at 360-452-1171.

ILG assisted Dr. Yandell in the preparation, filing and prosecution of the US and foreign patent applications. ILG is the premier patent and trademark firm on the Olympic Peninsula, offering over 40 years experience in all phases of Intellectual Property and related business counseling from its Sequim office. ILG can be reached at 360-681-7305 or [www.InnovationLaw.com](http://www.InnovationLaw.com).